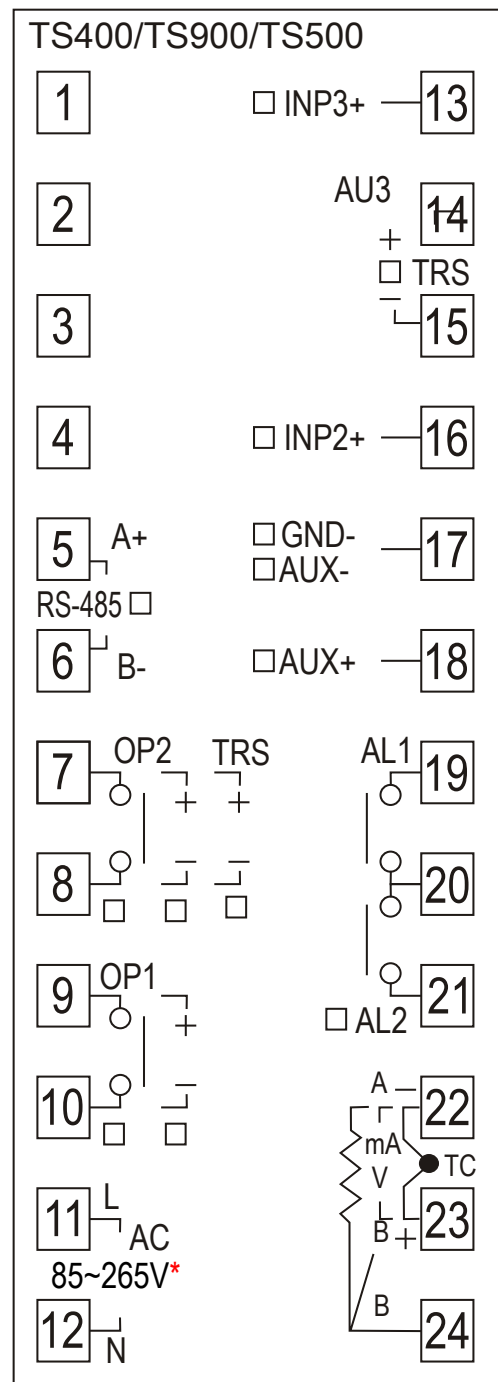
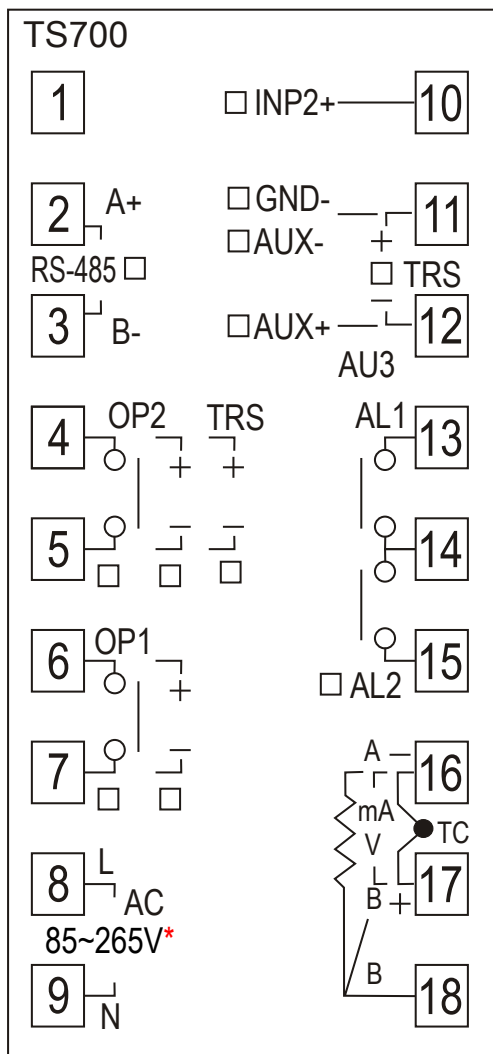
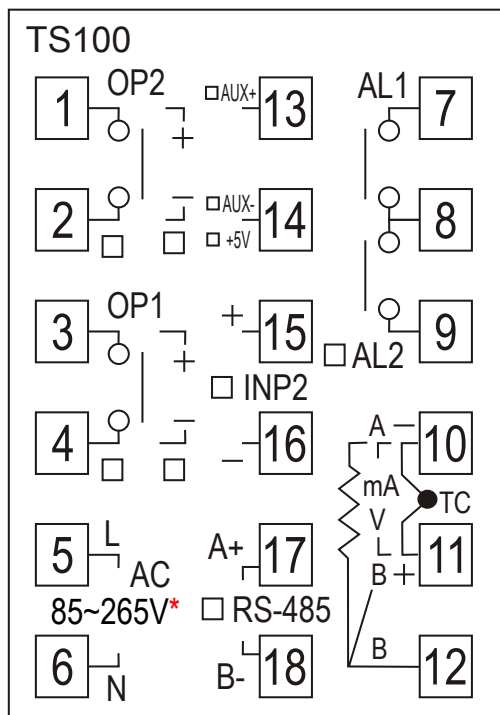


Wiring Diagram



* supply for 24V versions

Main output Relay

250Vac 5A (resistive load)

Alarm Relay

250Vac 3A (resistive load)

4-20mA output

(maximum load resistance 500 ohm)

12VDC pulse output

(20mA)

Note:

Above is a general wiring diagram, please always refer to the connection diagram on the side of the controller.

INP2/INP3 used for remote SV, or position feedback or remote output% under manual mode. Please refer to wiring diagram on the unit for single phase or three phase triac output option.