

PSL Fabricated Spring Loaded RTD (Pt100/Pt1000) Inserts (+260°C)

PSLI Mineral Insulated Spring Loaded RTD (Pt100/Pt1000) Inserts (+500°C)

The PSL and PSLI spring loaded RTD inserts are designed to suit new or existing heavy duty thermowells. Most commonly supplied with a 6.0mm outside probe diameter (3.0mm, 4.5mm and 8.0mm also available).

A ceramic terminal block is supplied as standard and can be connected to a terminal head using the spring loaded screws. An optional 4~20mA transmitter can be supplied instead of the ceramic terminal block, if required.

Spring loading ensures that the sensor tip is kept in contact with the tip of the thermowell, which promotes a faster and more reliable response.

PSL Fabricated Spring Loaded RTD Inserts (+260°C)

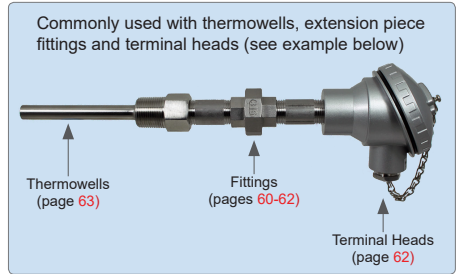
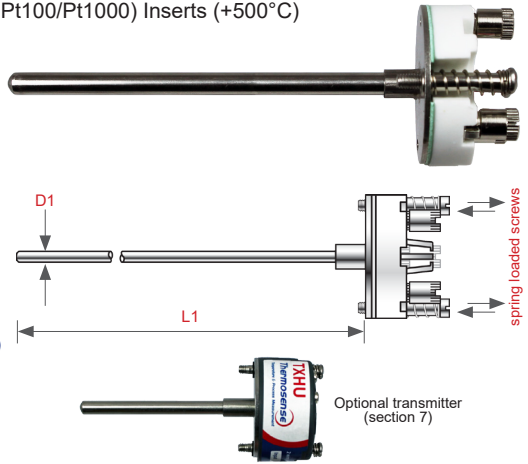
The PSL fabricated sensor is supplied with a rigid 316 Stainless Steel sheath. Where the design allows, the sensors are powder-filled to protect the element from damage caused by vibration.

Suitable for use between -75°C and +260°C.

PSLI Mineral Insulated Spring Loaded RTD Inserts (+500°C)

The PSLI mineral insulated sensor is supplied with a 316 Stainless Steel sheath and is suitable for use over a wider temperature range: -75°C to +500°C. The mineral insulated construction allows the sensors to be bent (100mm from tip) and protects the Pt100/Pt1000 element against failure caused by vibration.

- Pt100 or Pt1000 as standard (other elements available)
- 3.0mm, 4.5mm, 6.0mm or 8.0mm Ø probe
- Fast, reliable response due to spring loading
- Suits new or existing heavy duty thermowells
- **PSL:** suitable for use between -75°C and +260°C
- **PSLI:** suitable for use between -75°C and +500°C



1		sensor type			code		
		Fabricated Spring Loaded RTD (Pt100) Insert			PSL		
		Fabricated Spring Loaded RTD (Pt1000) Insert			PSLK		
		Mineral Insulated Spring Loaded RTD (Pt100) Insert			PSLI		
		Mineral Insulated Spring Loaded RTD (Pt1000) Insert			PSLIK		
2		probe diameter (316 stainless steel) (D1)			code		
		3.0mm			3.0		
		4.5mm			4.5		
		6.0mm			6.0		
		8.0mm			8.0		
3		detector elements - simplex / duplex			code		
		Simplex (1 channel)			S		
		Duplex (2 channels)			D		
4		probe length (mm) (L1)			code		
		As required to suit your application (stock sensors also available)			e.g. 250		
5	wiring configuration	code	6	grade of element	accuracy at 0°C	accuracy at 100°C	code
	2-wire	2		B	± 0.30°C	± 0.80°C	B
	3-wire	3		A	± 0.15°C	± 0.35°C	A
	4-wire (Simplex only)	4		1/3 (Pt100 only)	± 0.08°C	± 0.19°C	1/3
				1/5 (Pt100 only)	± 0.05°C	± 0.15°C	1/5
				1/10 (Pt100 only)	± 0.03°C	± 0.12°C	1/10
7		optional head mounting 4~20mA transmitter (replaces ceramic terminal block)				code	
		Linearised, Head Mounting 4~20mA Transmitter, 24VDC Power Supply, Non-isolated (pre-ranged to suit your requirements)				TXHU (range) Example: TXHU (0/200°C)	

See page 83 for a full specification of the TXHU transmitter. Isolated version also available.

ATEX versions also available

Thermocouple version page 14

order code (example) 1 2 3 4 5 6 7
PSL - 6.0 - S - 250 - 3 - B - TXHU (0/200°C)