

**GY LCD Display Intelligent Pressure Gauge (67mm Ø)**

Bottom entry. G 1/2 inch (304 Stainless Steel) process entry thread. The GY is an economical, easy-to-use, battery-powered intelligent pressure gauge which has a clear, 4-digit LCD display. The gauges are suitable for use in gas or liquid applications which do not corrode stainless steel. Commonly used in water, petroleum, chemical and machine applications.

The unit of measurement is user selectable via the front fascia (MPa, psi, bar, kPa, kg/cm<sup>2</sup>) and the pressure type, gauge or absolute, is also shown, where applicable. The display also features a battery status indicator, pressure percentage bar and peak pressure display, so that at a glance the user can see what the process pressure is in relation to the maximum and minimum levels.

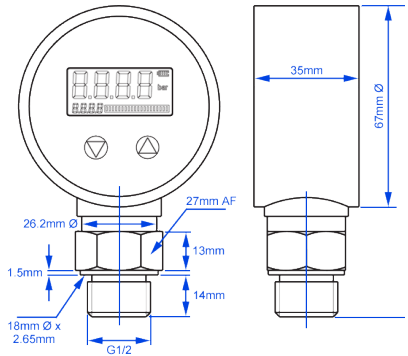
The maximum/peak pressure is recorded during operation; this is easily recalled via the front fascia. To save battery life the gauge can be programmed to turn off automatically after 1 to 15 minutes. This can extend the battery life to 2 years.

Note: the pressure gauge must be installed vertically if its measuring range is less than 1 bar.

- Bottom entry
- Selectable unit of measurement (MPa, psi, bar, kPa, kg/cm<sup>2</sup>)
- G 1/2 process connection
- Stainless Steel Wetted Parts



67mm Ø dial  
(bar example shown)



Technical Details	
<b>Pressure Medium</b>	Gas or liquid compatible to stainless steel
<b>Pressure Ranges</b>	-1 up to 40 bar
<b>Pressure Type</b>	Vacuum or Gauge
<b>Overload Pressure</b>	150%FS
<b>Accuracy</b>	0.5%FS
<b>LCD Display</b>	4-digit (43mm x 24mm)
<b>Display Range</b>	-1999~9999
<b>Long-Term Stability</b>	< 0.1%FS/year
<b>Power</b>	1 x 9V battery (supplied)
<b>Compensated Temp. Range</b>	0 to +50°C
<b>Operating Temp. Range</b>	-20°C to +70°C
<b>Selectable Ranges</b>	MPa, psi, bar, kPa, kg/cm <sup>2</sup>
<b>Sampling Speed</b>	4 times/second
<b>Insulation Resistance</b>	100MΩ@50VDC
<b>Process Thread</b>	G 1/2" (304 Stainless Steel)
<b>Dial</b>	67mm Ø, Plastic
<b>Case</b>	304 Stainless Steel
<b>O-ring Seal</b>	Fluoro rubber
<b>Internal Diaphragm</b>	316 Stainless Steel

67mm Ø dial (G 1/2")		
pressure type	pressure range (bar)	order code
Vacuum	-1...0	GYV100
Vacuum	-1...1	GYV110
Vacuum	-1...3	GYV130
Gauge	0...1.0	YG010
Gauge	0...1.6	YG016
Gauge	0...2.5	YG025
Gauge	0...6.0	YG060
Gauge	0...10.0	YG100
Gauge	0...25.0	YG250
Gauge	0...40.0	YG400

**Accessories for Pressure Gauges and Transmitters**

Fittings/Adaptors

Seals

Protective Boots

Syphons

Contact sales for further information