

GY LCD Display Intelligent Pressure Gauge (67mm Ø)

Bottom entry. G 1/2 inch (304 Stainless Steel) process entry thread. The GY is an economical, easy-to-use, battery-powered intelligent pressure gauge which has a clear, 4-digit LCD display. The gauges are suitable for use in gas or liquid applications which do not corrode stainless steel. Commonly used in water, petroleum, chemical and machine applications.

The unit of measurement is user selectable via the front fascia (MPa, psi, bar, kPa, kg/cm²) and the pressure type, gauge or absolute, is also shown, where applicable. The display also features a battery status indicator, pressure percentage bar and peak pressure display, so that at a glance the user can see what the process pressure is in relation to the maximum and minimum levels.

The maximum/peak pressure is recorded during operation; this is easily recalled via the front fascia. To save battery life the gauge can be programmed to turn off automatically after 1 to 15 minutes. This can extend the battery life to 2 years.

Note: the pressure gauge must be installed vertically if its measuring range is less than 1 bar.

- Bottom entry
- Selectable unit of measurement (MPa, psi, bar, kPa, kg/cm²)
- G 1/2 process connection
- Stainless Steel Wetted Parts



bar example

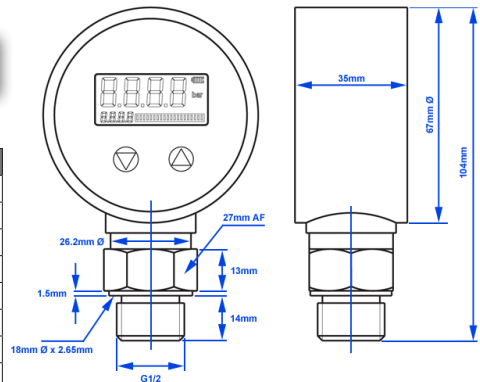


MPa example

psi example

kPa example

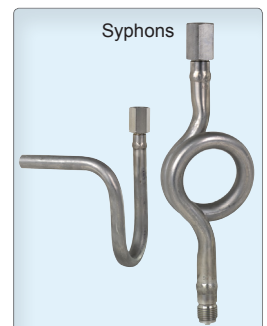
kg/cm² example



Technical Details	
Pressure Medium	Gas or liquid compatible to stainless steel
Pressure Ranges	-1 up to 40 bar
Pressure Type	Vacuum or Gauge
Overload Pressure	150%FS
Accuracy	0.5%FS
LCD Display	4-digit (43mm x 24mm)
Display Range	-1999~9999
Long-Term Stability	< 0.1%FS/year
Power	1 x 9V battery (supplied)
Compensated Temperature Range	0 to +50°C
Operating Temperature Range	-20°C to +70°C
Selectable Ranges	MPa, psi, bar, kPa, kg/cm ²
Sampling Speed	4 times/second
Insulation Resistance	100MΩ@50VDC
Process Thread	G 1/2" (304 Stainless Steel)
Dial	67mm Ø, Plastic
Case	304 Stainless Steel
O-ring Seal	Fluoro rubber
Internal Diaphragm	316 Stainless Steel

67mm Ø Dial (G 1/2")		
Pressure Type	Pressure Range (bar)	Order Code
Vacuum	-1..0	GYV100
Vacuum	-1..1	GYV110
Vacuum	-1..3	GYV130
Gauge	0..1.0	GYG010
Gauge	0..1.6	GYG016
Gauge	0..2.5	GYG025
Gauge	0..6.0	GYG060
Gauge	0..10.0	GYG100
Gauge	0..25.0	GYG250
Gauge	0..40.0	GYG400

Accessories for Pressure Gauges and Transmitters



Contact sales for further information

