

RSF Standard Panel Insert (Flanged)

Easy-to-install standard flanged panel insert/socket for Thermocouple and RTD circuits that can be mounted with the supplied stainless steel bracket and two screws.

- Glass filled thermoplastic body with original thermocouple material pins and spring loaded inserts
- Polarized pins ensure proper connection
- Easy wire connection through sandwich construction
- Moulded barriers prevent short circuit
- Rugged one body design
- Polarity indication on body
- Stainless steel bracket and screws mounting (supplied)
- Panel cut-out: 12.9mm x 25.5mm (max. 5mm panel thickness)

Wire Size

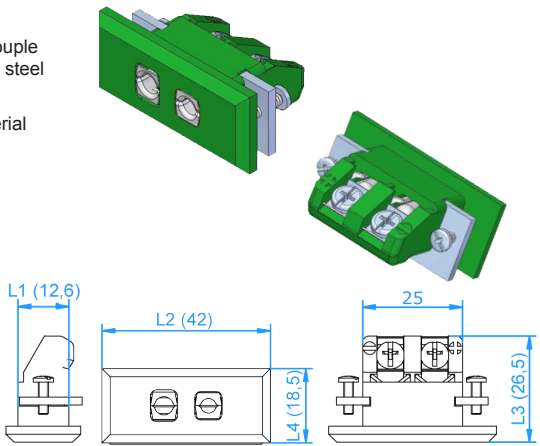
- Accepts wires up to 1.6mm

Temperature Rating

- +200°C Max.

Dimensions

- L1=12.6mm, L2=42mm, L3=26.5mm, L4=18.5mm



Calibration Code	K	J	T	N	E	R/S	B	C	RTD
Positive Material	NiCr	Fe	Cu	NiCrSi	NiCr	Cu	Cu	CPX	Cu
Negative Material	NiAl	CuNi	CuNi	NiSi	CuNi	Alloy#11	Cu	CNX	Cu
IEC Colour	Green	Black	Brown	Pink	Violet	Orange	Grey	Red	White
ANSI Colour *	Yellow	Black	Blue	Orange	Violet	Green	Grey	Red	White
Order Code	RSF-K	RSF-J	RSF-T	RSF-N	RSF-E	RSF-R	RSF-B	RSF-C	RSF-U

* Suffix order code with 'A' for ANSI colours (e.g. RSF-KA)

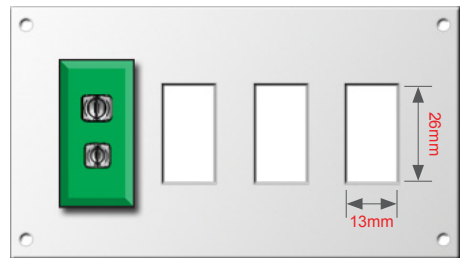
RM Standard Aluminium Connector Panels

Aluminium connector panels with 1-24 channel options to suit RSF-style standard flanged panel inserts.

- Suits RSF-style standard panel inserts
- 1, 2, 4, 6, 8, 12, 24 channel panels available
- 1 to 12 channel panels = single row
- 24 channel panels = double row



Rear View Example



Note: inserts/sockets are not included with panels

Note: quoted dimensions have a tolerance of +/- 1mm

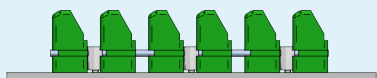
Number of Channels	1	2	4	6	8	12	24
Dimensions (W x H) mm	31 x 66	69 x 66	107 x 66	145 x 66	184 x 66	260 x 66	260 x 112
Order Code	RM01	RM02	RM04	RM06	RM08	RM12	RM24

RP/RPV/RPH Pre-assembled Standard Thermocouple Connector Panels

Pre-assembled, robust, standard horizontal panel assembly for thermocouple and RTD circuits. Ideal for mounting in control rooms, test stands, laboratory applications, pilot plants etc. Supplied pre-fitted with standard panel inserts. For use with the following calibration codes: K, J, T, N, E, R/S, B, C, RTD.

Each panel assembly includes: panel, insert/socket(s) and mounting bar. Available as standard horizontal, standard vertical and standard horizontal high temperature.

- Aluminium front panel anodized for full corrosion protection
- All circuits identified with scratchproof numbering
- Stainless steel bar and brass nickel plated screws
- Pre-assembled with panel inserts
- Mounting construction will make it impossible to dislodge insert from panel
- Angled screws on the insert will allow wiring of the panel after mounting
- Flush surface for easy cleaning
- Available as standard horizontal, standard vertical and standard horizontal high temperature



Top view showing stainless steel bar and panel inserts



High Temperature Panel Assembly



Vertical Panel Assembly

Contact sales for further information

